



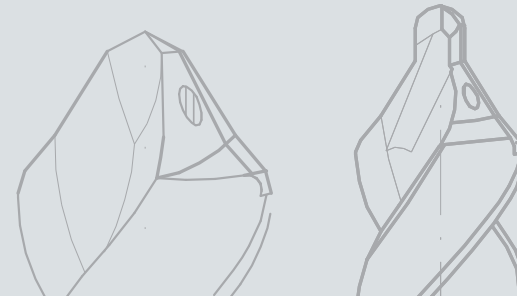
AUTOMOTIVE

For Automotive Industry Dagger Master has many Tooling solutions.

- ➔ Fuel Injection Parts
- ➔ Common Rail Parts
- ➔ Turbo Charger Parts
- ➔ Steering Components
- ➔ Automatic Transmission
- ➔ Power Train Components

➔ **Component Materials**

All machinable steels with various heat treatment, tensile strength and hardness, cast aluminum, cast steel.



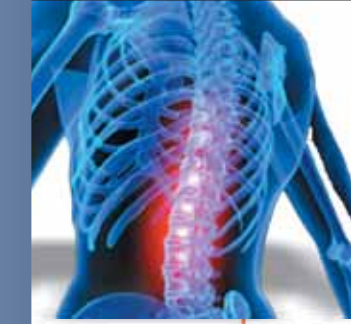
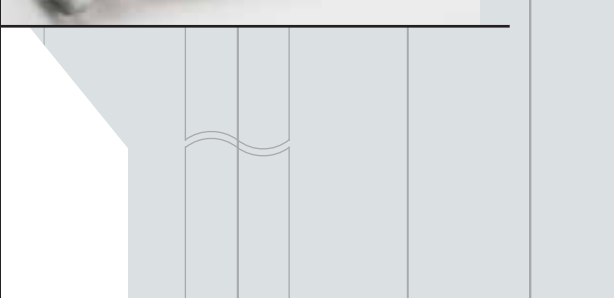
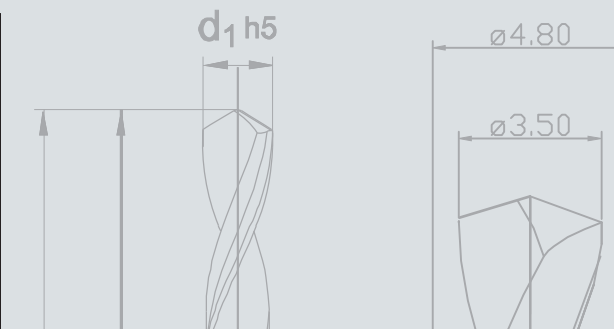
AEROSPACE

Dagger Master is actively developing Tooling solutions for many Aerospace Components.

- ➔ Valve Bodies
- ➔ Thermocouples
- ➔ Integrated Sensors
- ➔ Interior Cabin Fixtures
- ➔ Fuel System Components
- ➔ Hydraulic and Pneumatic Parts

➔ **Component Materials**

Inconel, Cast Alloys, High Temp Alloys, Titanium, Aluminium and Aerospace Composites.



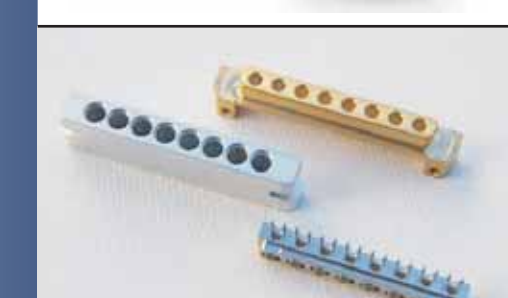
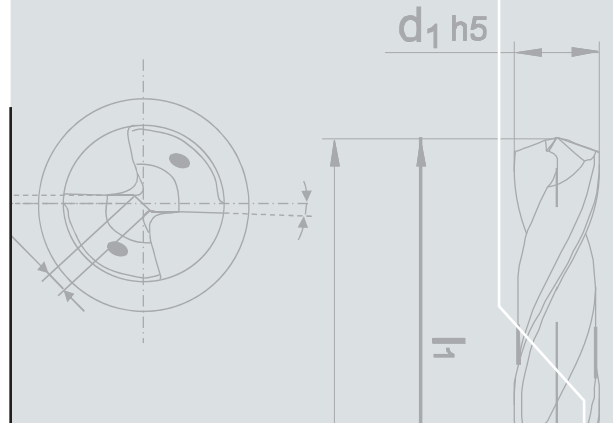
MEDICAL

Tooling solutions for challenging Medical Industry parts is fully met by Dagger Master.

- ➔ Traumatology
- ➔ Medical Devices
- ➔ Intraocular Lenses
- ➔ Bone Screws & Plate
- ➔ Surgical Suture Needles
- ➔ Orthopedics Components
- ➔ Dental, Implants & Bridges

➔ **Component Materials**

Titanium, Stainless Steel Medical Grade, Cobalt Chrome, PEEK, Ceramic,



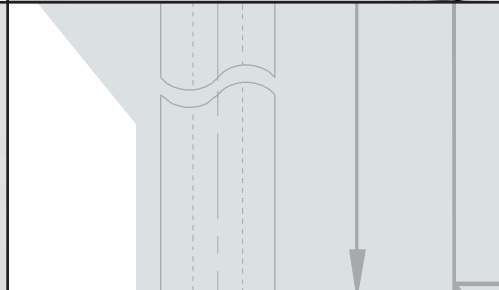
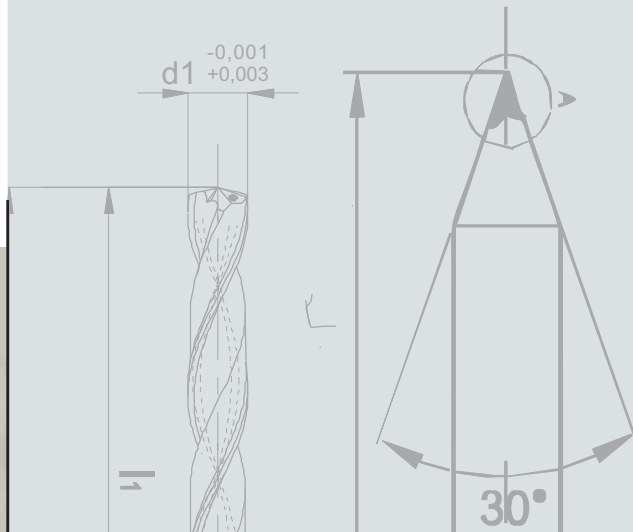


WATCH

Dagger Master has proven Tooling solutions in the Watch Industry for over 20 years.

- Watch Case
- Watch Plates
- Small Precision Parts
- Watch Link Components

→ **Component Materials**
Stainless Steel, Titanium, Gold, Platinum

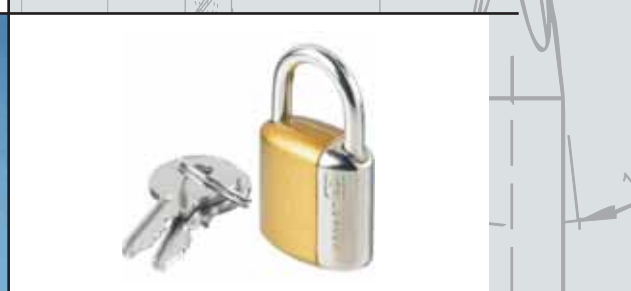


PRECISION

Dagger Master provides Tooling solutions for all kinds of small precision parts and micro machining.

- Ball Pen Industry
- Jewellery Industry
- Spinnerets & Spin Plates
- Electronic Connector Parts
- Screw Machine components
- Optical and Intraocular lenses
- Hydraulic & Pneumatic Components

→ **Component Materials**
All machinable steels, Copper, Brass, Stainless Steel, Bronze, Gold, Titanium, Platinum, Engineering Plastics.



DAGGER MASTER TOOL INDUSTRIES LTD.
11, Turf Estate, Shakti Mill Lane,
Mahalaxmi (W), Mumbai 400 011.
Email.: info@daggermaster.com
Tel: (22) 2494 3840 Fax: (22) 2494 3905

Unit 1: F2/2 MIDC Chikalhana,
Aurangabad 431 210.
Unit 2 : Plot No. A26-A27, MIDC,
Shendra, Aurangabad 431 201.
Email.: sales@daggermaster.com
Tel: (240) 248 2559 Fax: (240) 248 5669

Marketing Off.: #53, B-wing, 4th Floor,
KK Commercial Market,
Bibwewadi, Pune 411 043.
Email.: office.pune@daggermaster.com
Tel: (20) 41206557 Fax: (20)41206557
Bangalore: +91 9611114087
Email.: sales.bangalore@daggermaster.com

www.daggermaster.com



**INDO-GERMAN COOPERATION
FOR MICRO CUTTING TOOLS
WITH ZECHA HARTMETALL GmbH**



Dagger Master see's the big picture for small components
For application specific solutions and complete machining strategy
Supported by best quality cutting tools & innovative designs.

SOLID CARBIDE DRILLS & END MILLS FROM Ø0.05 mm



micro cutting tools

Automotive Parts | Aerospace Parts | Medical Parts | Watch Parts | Precision Parts

www.odcindia.co.in



DRILLING | MILLING | REAMING | TURNING | TAPPING | BORING | CLAMPING www.daggermaster.com